

1 2 3 4 5 6 7 8

A

B

C

D

E

F

A

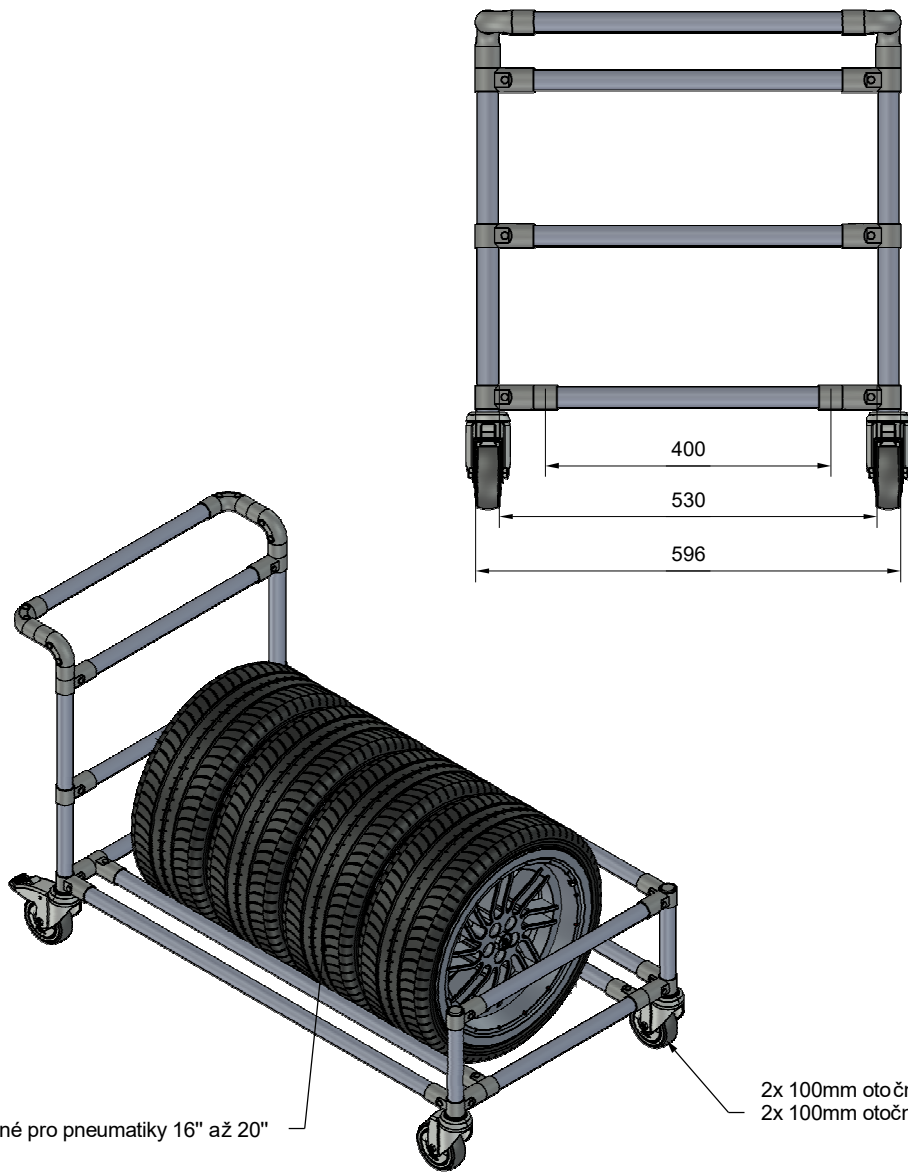
B

C

D

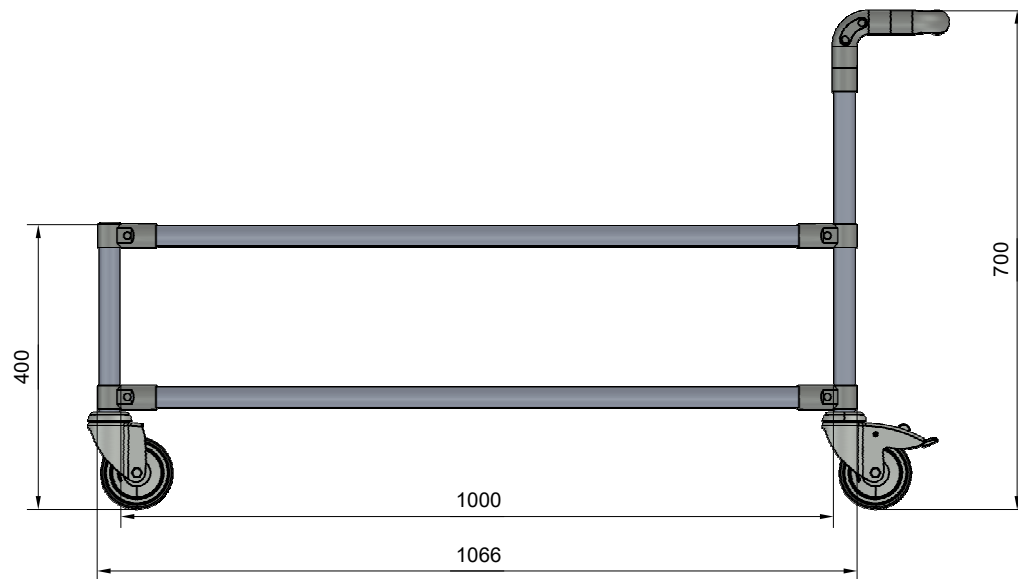
E

F




vhodné pro pneumatiky 16" až 20"

2x 100mm otočná kolečka
2x 100mm otočná kolečka s brzdou



Workshop accuracies for general tolerances - Tolerances for length and angle dimensions; DIN ISO 2768-1-
-Machining details and finish classification to DIN ISO 1302

E	Total load capacity*: 100 kg (Celková nosnosť:*)		Load capacity - floor*: (nosnosť na patro:*)	
	Scale	A3	Drawn Kempný	Checked
	Title Enprag s.r.o.			Dat. 04.09.2024
	Title Vozík na pneumatiky			Sheet 1 of 1
				Doc.Nr 24082634

This document is the sole property of Enprag s.r.o.
and may not be copied, duplicated, used or given to
third parties without the written permission from Enprag s.r.o.
Misuse is subject to penalties and will be legally pursued

Tolerances for shape and condition:
- DIN ISO 2768-2-K
Tolerancing:
- DIN 7167

1 2 3 4 5 6 7 8