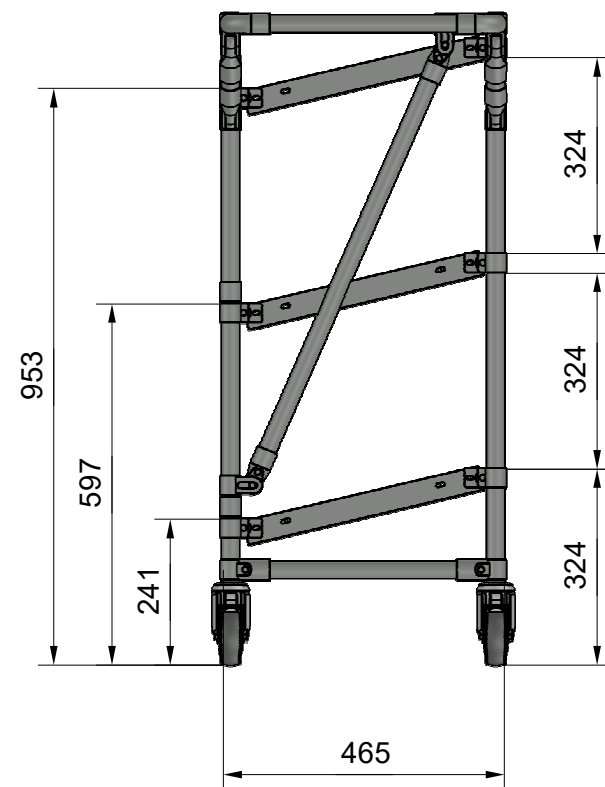
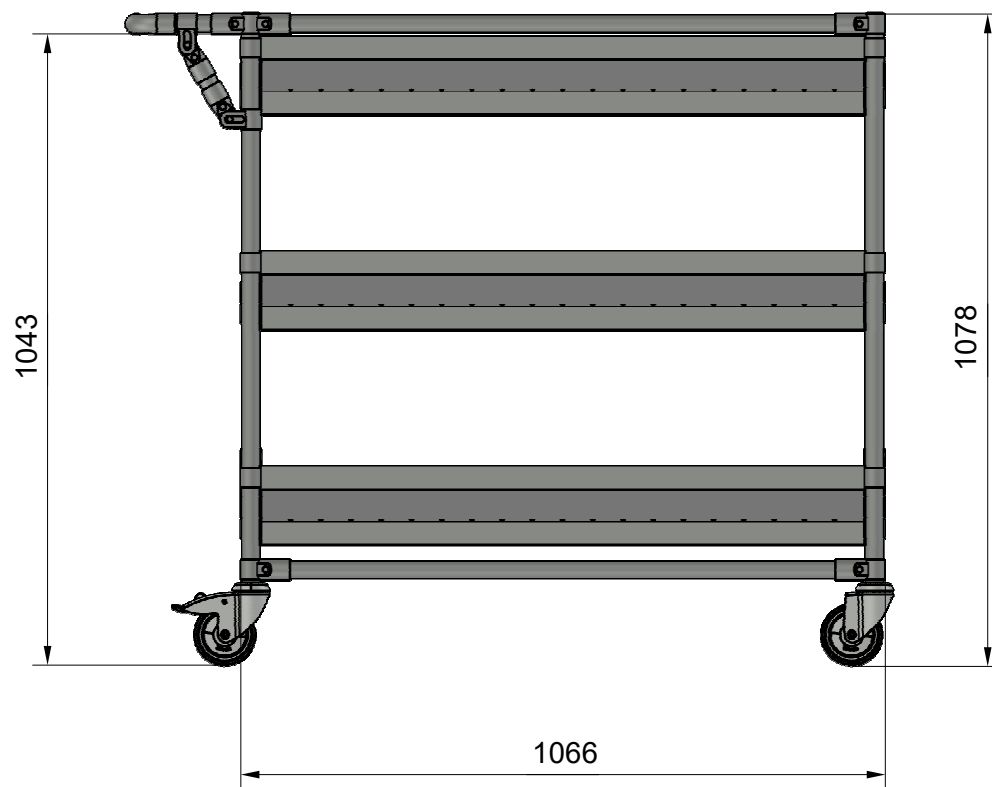



3x galvanized shelf
1000x400 mm



2x swivel wheels with brake \varnothing 100 mm
2x swivel wheel without brake \varnothing 100 mm

Workshop accuracies for general tolerances - Tolerances for length and angle dimensions; DIN ISO 2768-1-v
-Machining details and finish classification to DIN ISO 1302

E	Total load capacity*: (Celková nosnosť:*) 180 kg		Load capacity - floor*: (nosnosť na patro:*) 60 kg	
	Scale	A3	Drawn Kempný	Checked
	Title Enprag			Dat. 25.04.2024
	Title Picking trolley			Sheet 1 of 1
				Doc.Nr 24042530

This document is the sole property of Enprag s.r.o. and may not be copied, duplicated, used or given to third parties without the written permission from Enprag s.r.o. Misuse is subject to penalties and will be legally pursued

Tolerances for shape and condition:
- DIN ISO 2768-2-K
Tolerancing:
- DIN 7167