

1 2 3 4 5 6 7 8

A

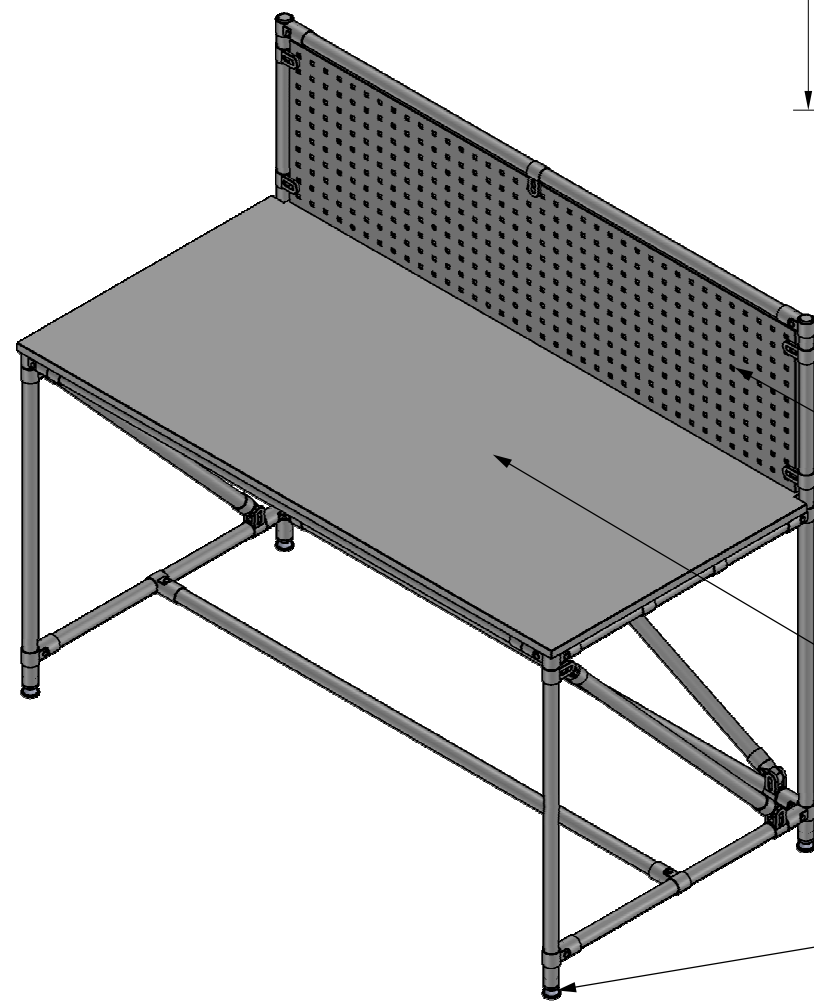
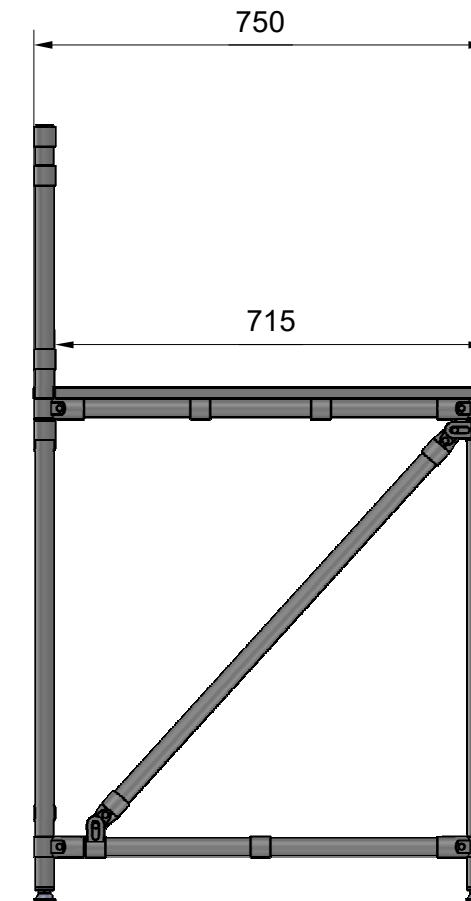
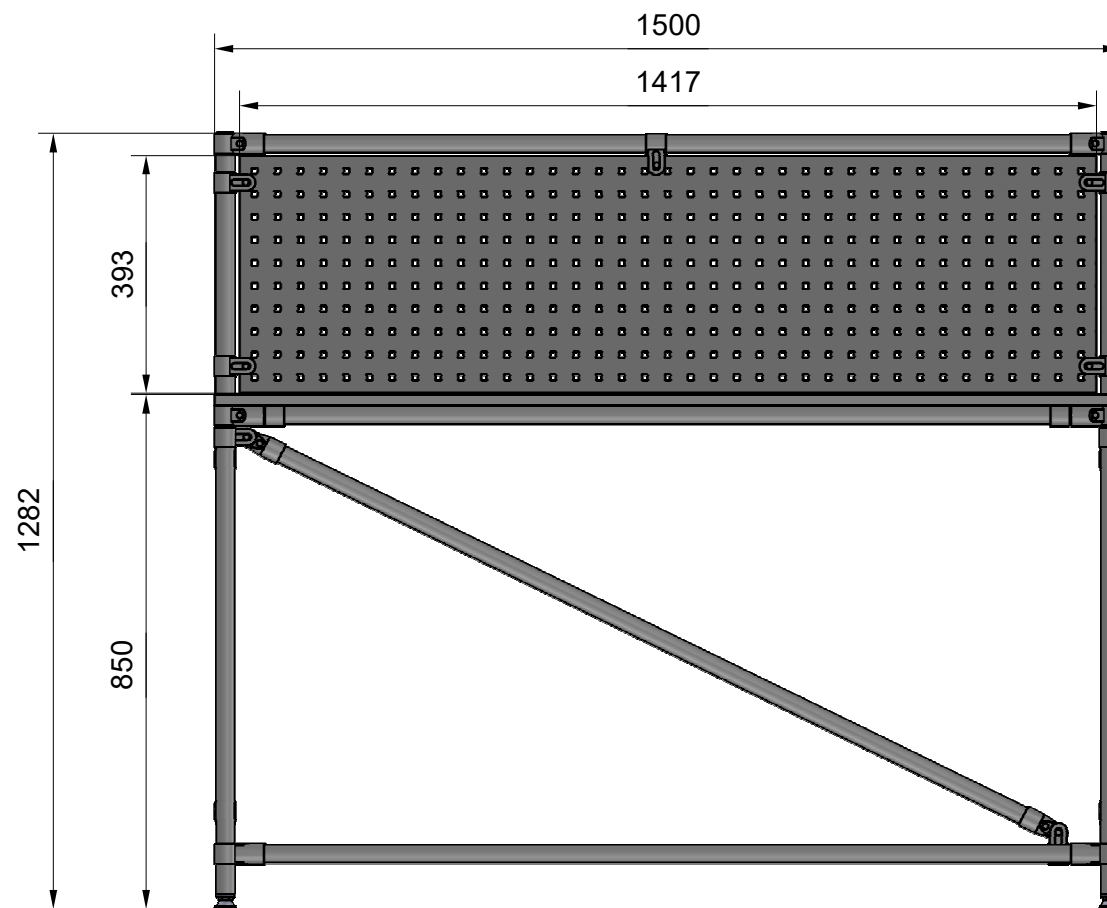
B

C

D

E

F



Perfopanel 1419x393mm

Dřevotřísková deska oboustranně laminovaná v dekoru 112 Kamenná šedá

4x stavitelné nožičky

Workshop accuracies for general tolerances - Tolerances for length and angle dimensions; DIN ISO 2768-1-v  
 -Machining details and finish classification to DIN ISO 1302

E	Total load capacity*: <b>100 kg</b> (Celková nosnost:*)		Load capacity - floor*: (nosnost na patro:*)	
	Scale	<b>A3</b>	Drawn Kempný	Checked Dat. <b>08.04.2024</b>
Title <b>Enprag</b>			Sheet 1 of 1	Rev. <b>A00</b>
Title <b>Díleňský stůl s perfopanelem</b>			Doc.Nr <b>24040830</b>	

This document is the sole property of Enprag s.r.o. and may not be copied, duplicated, used or given to third parties without the written permission from Enprag s.r.o. Misuse is subject to penalties and will be legally pursued

Tolerances for shape and condition:  
 - DIN ISO 2768-2-K  
 Tolerancing:  
 - DIN 7167

1 2 3 4 5 6 7 8